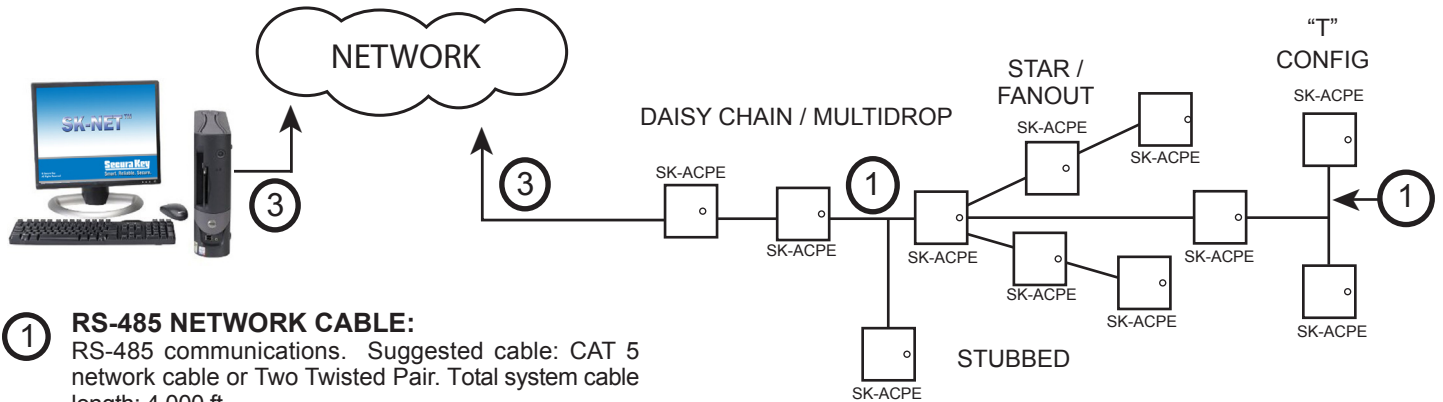


SECURA KEY CARD ACCESS CONFIGURATION GUIDE

Single/Multi-Reader Systems with SK-ACPE Two-Door Panel

MULTI-PANEL SYSTEM USING SK-NET™ SOFTWARE- SINGLE LOCATION WITH LAN CONNECTION

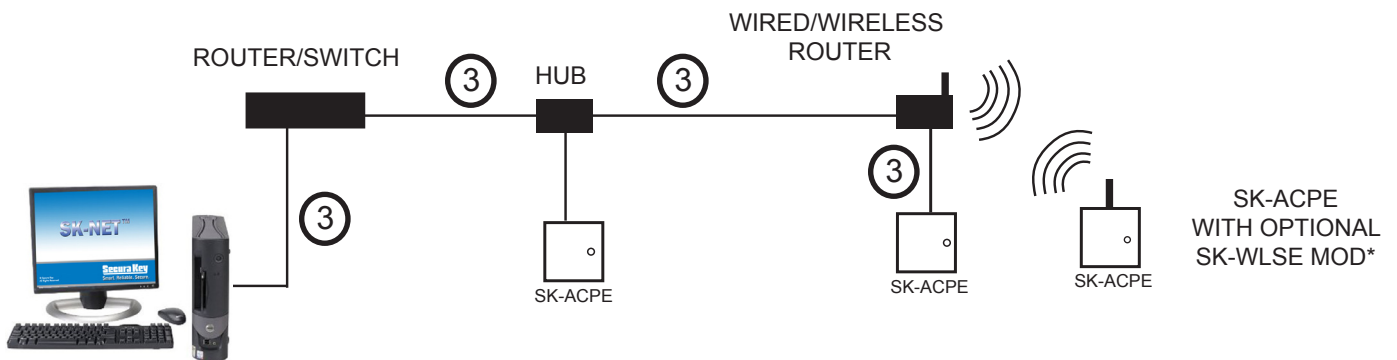
NOTE: In this example, only the first panel is connected to the LAN. Additional panels are daisy-chained from the first panel using RS-485 over twisted pair. SK-NET-MLD software must be used when connecting more than one SK-ACPE to the LAN. This diagram can also be a remote location connected over a WAN, if a static IP address is used at each remote site.



- ① **RS-485 NETWORK CABLE:**
RS-485 communications. Suggested cable: CAT 5 network cable or Two Twisted Pair. Total system cable length: 4,000 ft.
- ③ **ETHERNET CABLE:**
Standard Ethernet cable connector connected to existing LAN.

NOTE: Each SK-ACPE above can support 2 Wiegand output card readers.

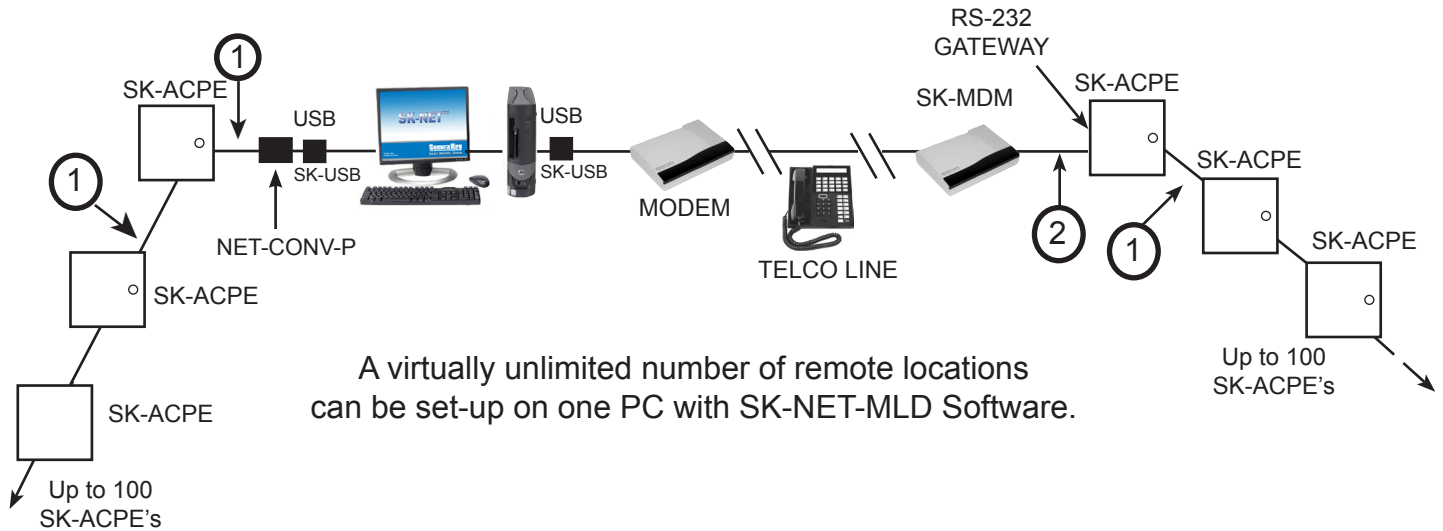
SK-ACPE SYSTEM USING SK-NET-MLD SOFTWARE WITH MULTIPLE LAN CONNECTIONS



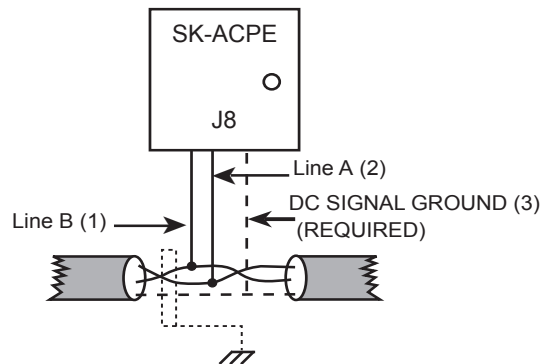
- ③ **ETHERNET CABLE: (Required cables CAT 5e or CAT 6).**
Wired: max distance 300' (100m) between devices.
Wireless: Typically 100-200' (30-60m) depending on interference, building structure and metal objects.

NOTE: Each SK-ACPE above can support 2 Wiegand Output Card Readers.

MULTI LOCATION SYSTEM WITH SK-NET-MLD SOFTWARE



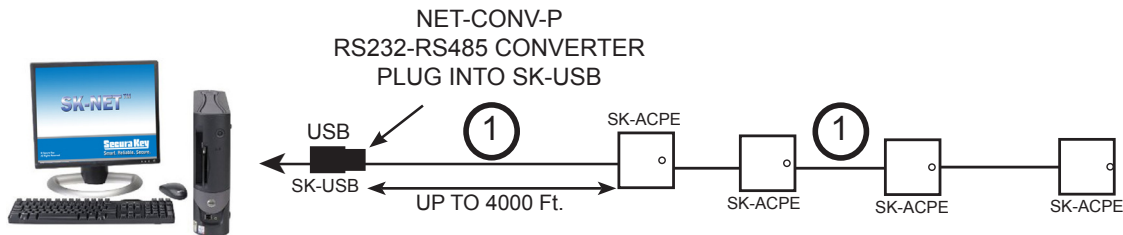
RS-485 NETWORK WIRING CONNECTIONS



Earth Grounded Shield is highly recommended in environments subject to high voltage electrical discharge (i.e. lightning). Shield should be connected to earth ground only at one end of the cable. DC Signal ground is required. DC Ground wire is NOT to be connected to earth ground.

MULTI-PANEL SYSTEM USING SK-NET™ SOFTWARE- SINGLE LOCATION with RS-485 CONVERTER

NOTE: Use this configuration when the PC is located more than 100' from the first SK-ACPE, and a LAN connection is not available.



- ① **RS-485 NETWORK CABLE:**
RS-485 communications. Suggested cable: CAT 5 network cable or Two Twisted Pair. Total system cable length: 4,000 ft.
- ② **SERIAL CABLE:**
RS-232 communications. Suggested cable: 6-Conductor, Shielded, with no twisted pairs. Total cable length 100 feet.

NOTE: When using the RS-232 to RS-485 converter, you cannot use the stubbed, star fanout or "T" configuration. All network connections from SK-ACPE to the next SK-ACPE must be in parallel with each other. The J8 connector, Pins 1 and 2 must be a twisted pair. Pin 3 (Ground) can use 1 conductor of a second pair.

SYSTEM EQUIPMENT COMPONENTS

ACCESS CONTROL UNIT:

SK-ACPE: Two Door Access Control Unit

Radio Key® Low Frequency Proximity

READERS:

RK-WM: Proximity Reader (2 readers per SK-ACPE), Mullion
 RK-WS: Proximity Reader (2 readers per SK-ACPE), Switchplate
 RK-WL: Proximity Reader (2 readers per SK-ACPE), Long Range

CARDS/TAGS:

RKCM-02-2 Molded Proximity Cards - 26/32 bit encoding
 RKKT-02-2 Key Tags - 26/32 bit encoding
 RKCI-02-2 ISO Proximity Cards - 26/32 bit encoding

E*Tag® High Frequency Proximity:

READERS:

ET4-WXM: 13.56 MHz ISO 15693, Mullion
 ET4-WXS: 13.56 MHz ISO 15693, Switchplate
 ET8-RO-W-D: 13.56 MHz ISO 15693, Switchplate
 ET8-RO-W-M: 13.56 MHz ISO 15693, Mullion

CARDS/TAGS:

ETCI04-1- ISO Card- 26/32 bit encoding
 ETCI04-4- ISO Card- 26/32 bit encoding, Mag-Stripe
 ETST03-1-Key Tag Trapezoidal - 26/32 bit encoding
 ETKT03-1 Key Tag, Rounded End, 26/32 bit encoding

MINIMUM REQUIREMENTS*			
OPERATING SYSTEM	PROCESSOR SPEED	RAM	AVAILABLE DISK SPACE
WINDOWS® XP OR NEWER	1 GHz	1 GB	1 GB
* For larger installation more disk space may be required.			
RECOMMENDED SYSTEM			
WINDOWS® XP OR NEWER	2 GHz	2 GB	10 GB
* For larger installation more disk space may be required.			
SERVER REQUIREMENT (FOR CLIENT/SERVER VERSIONS)**			
WINDOWS® 2003 OR NEWER	2 GHz	1 GB	1 GB
** For SK-NET-MLD-C/S version, a server is required to install ADS and the database. SK-NET™ must be installed on a workstation only.			
REQUIRED PERIPHERALS:			
RS-232 COM Port, USB Port or TCP/IP, a modem if you use dial-up and a printer for reports.			

PC REQUIREMENTS: See Table

SOFTWARE:

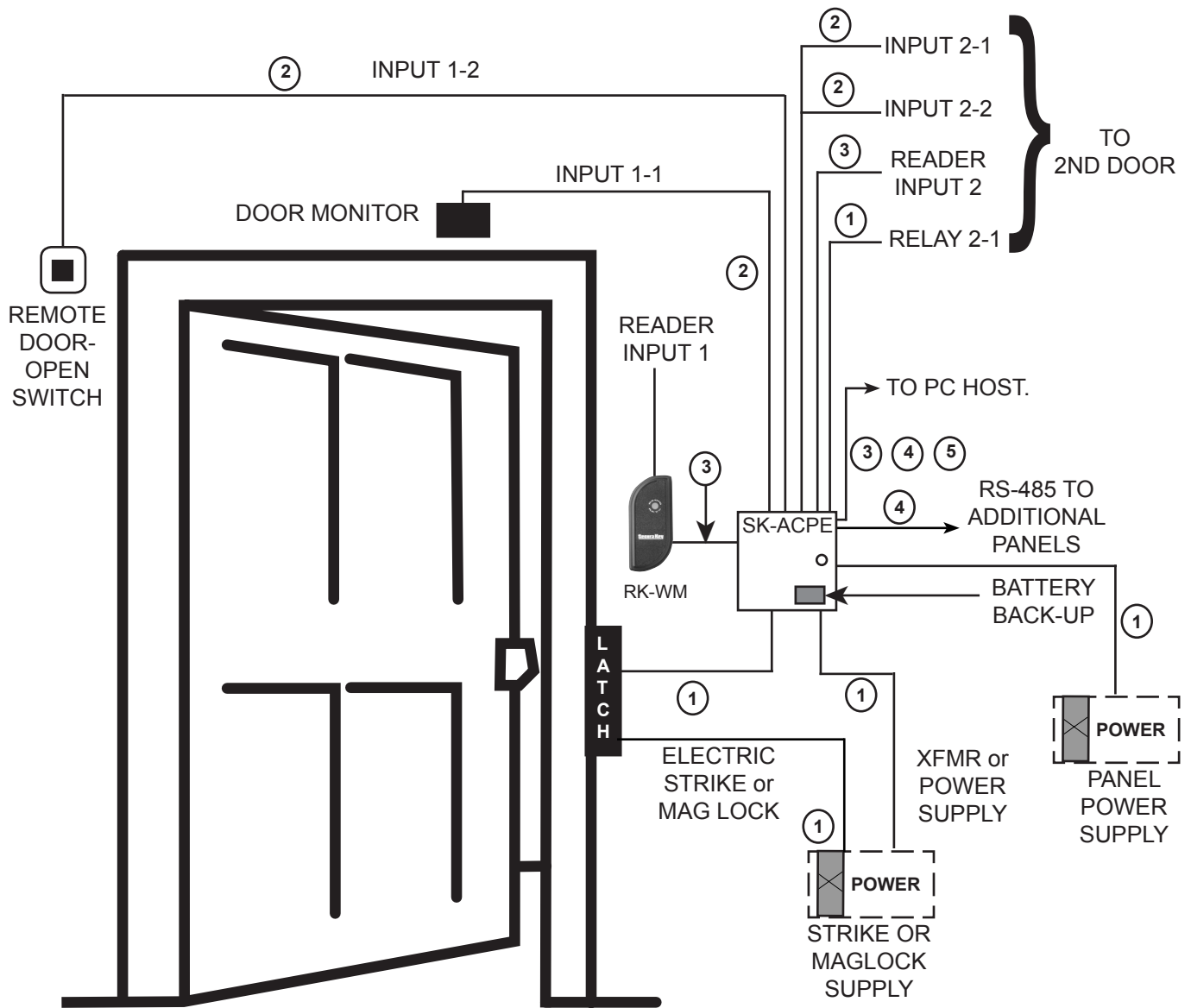
SK-NET™- DM - Basic Software - USB Flash Drive and manual
 SK-NET™ -MLD - Multi-Location Software with USB Flash Drive and manual
 SK-NET-MLD - CSXX (XX= 2,5,10 or 15 workstations), USB Flash Drive & Manual with Client Server License

ACCESSORIES:

NET-CONV-P - RS-232 to RS-485 Converter with Power Supply (plug into SK-USB)
RS-232E - Connects J11 MTA connector to DB9
SK-24VDC - DC power supply, provides 1A@24VDC.
SK-MDM - Modem - 56K Baud External Modem for dial-up connection to any SK-ACPE with MLD software
SK-ACP-PS - 1A, 24VDC 4.0 AH supply and stand by battery for SK-ACPE.
SK-BAT - 4.0 AH standby battery for SK-ACPE.
SK-PLUG9 - Computer connector (DB9) with wire pigtail.
SK-USB - Converts USB Port at PC to serial COM Port with DB9 connector
SK-WLSE-MOD* - Wireless LAN adapter, 802.11 b/g. Powered by SK-ACPE. Connect at J12 and set jumpers.
SK-XFRMR - 16.5VAC 40VA Transformer for SK-ACPE.

* Contact Factory for Availability.

SECURA KEY SK-ACPE Typical Door Installation



- CABLE TYPES:**
- ① 2 COND, UNSHIELDED 16-18 AWG
 - ② 2 COND, SHIELDED 18-24 AWG
 - ③ 6 COND, SHIELDED, NO TWISTED PAIRS 18-24 AWG WIEGAND OR RS-232
 - ④ RS-485 - CAT 5 NETWORK CABLE OR TWO TWISTED PAIR
 - ⑤ TCP/IP - CAT 5e or CAT 6 ETHERNET CABLE

Secura Key
A Division of SOUNDCRAFT Inc.

20301 NORDHOFF STREET
CHATSWORTH, CA 91311
PHONE (818) 882-0020 • FAX (818) 882-7052
TOLL FREE (800) 891-0020
mail@securakey.com • www.securakey.com